

Suction Canvas Installation Manual(for Built-in duct suction grille)

1. This kit contains the following parts and accessories.

| Name | Quantity | |
|-------------------------------|----------|--------|
| | PBSC10 | PBSC20 |
| Air suction canvas | 1 | 1 |
| Screws for air suction canvas | 4 | 4 |
| Adjusting chain | 4 | 4 |
| Screws for adjusting chain | 8 | 8 |
| Installation manual | 1 | 1 |

2. Require tools

Screwdrivers, Nippers

3. Installation procedures

1) Install the air suction canvas

- ① Tighten two fixing bolts for air suction canvas to the indoor unit.
- ② Fit the air suction canvas over the fixing bolts and slide the direction of the arrow in Fig.2 to hang the air suction canvas on the indoor unit.
- ③ Fit the remaining two fixing bolts and tighten all four fixing bolts until the seal is about 3~5mm thick.

2) Adjust the air suction canvas height

- ① Attach the suction outer grille. For details, see the installation provided with the suction grille.
- ② Hook the four adjusting chain over upper part of suction canvas in Fig.3 (a).
- ③ Check the suitable point in the adjusting chain that makes close the gap between the ceiling surface and the suction grille.
- ④ Hook the four adjusting chain with checked point over lower part of suction canvas in Fig.3 (b), cut any extra adjusting chain with the nippers.

※ If you want more hard fixing, you can also use the fixing screws for fixing adjusting chain with upper and lower hook.(Fig.4)

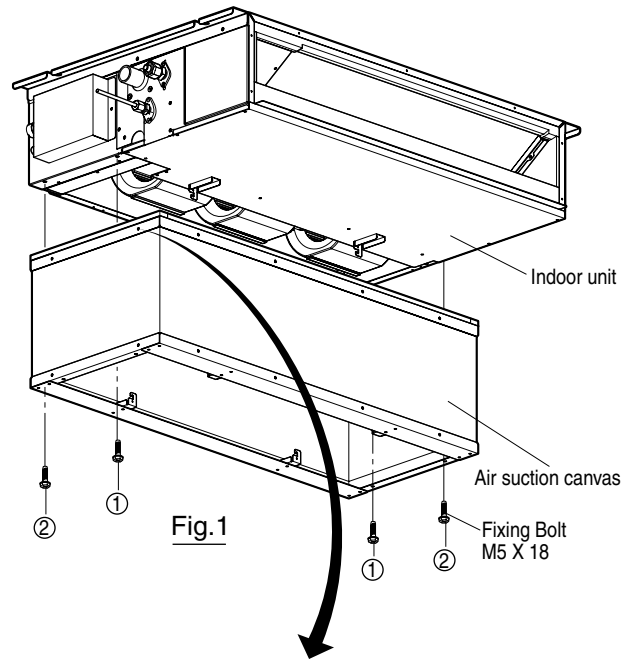


Fig.1

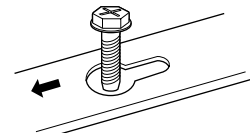


Fig.2

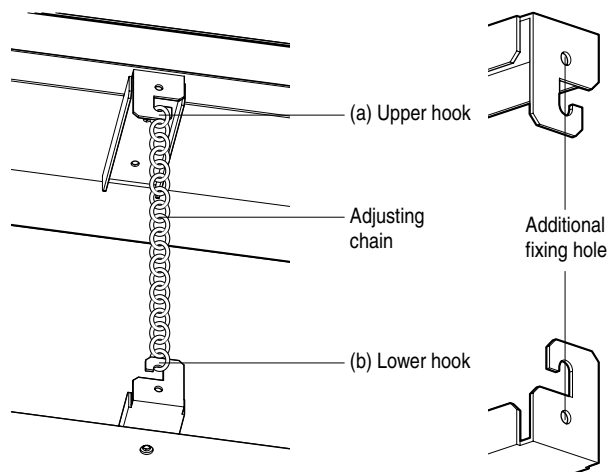


Fig.3

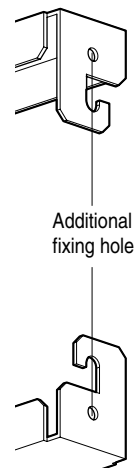


Fig.4