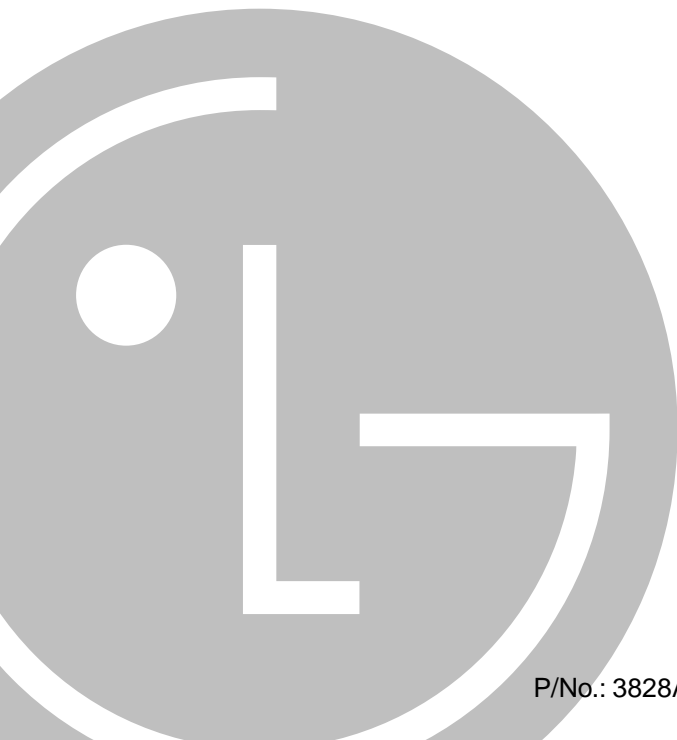
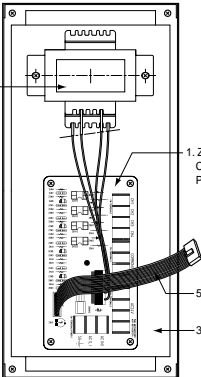


# **ZONE CONTROLLER INSTALLATION MANUAL**



P/No.: 3828A20366B

# Zone controller

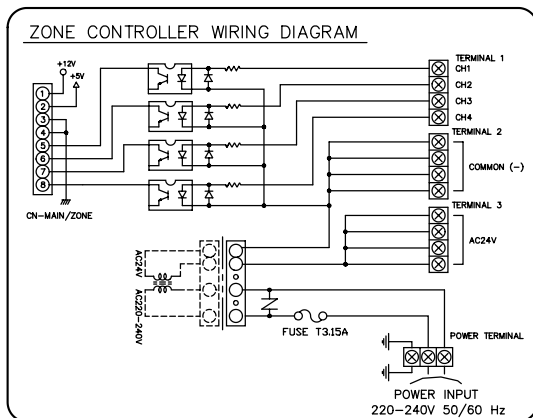
<b>Accessory Name</b>	<b>Zone Controller</b>		
<b>Accessory Model Name</b>	<b>ABZCA</b>		
<b>Functions</b>	<ul style="list-style-type: none"> <li>• Dividing area by zones (4 zones) and control each zone by its own thermostat and corresponding damper motor.</li> <li>• <b>In the cooling mode,</b> In case of Ceiling Concealed Duct, if the temperature of the zone is lower than the set temperature in that condition the damper will be closed &amp; rpm of the fan motor is varied to adjust the reduced requirement of air. But in case of Ducted Split and Single Package damper will be closed &amp; rpm of indoor fan motor remains same.</li> <li>• <b>On the other hand,</b> if the temperature of the zone is higher than the set temperature in that condition the damper will be open so as to supply cold air to the zone and vice versa in heating mode.</li> <li>• In case all the dampers are closed in that condition indoor fan, outdoor fan &amp; compressor will be off.</li> </ul>		
<b>Picture</b>			
<b>Parts Supplied</b>	<table style="width: 100%; border: none;"> <tr> <td style="vertical-align: top; width: 50%;"> <ul style="list-style-type: none"> <li>• <b>Factory Supplied :</b></li> <li>- Zone Controller PCB .....1EA</li> <li>- Trans .....1EA</li> <li>- Case .....1EA</li> <li>- Cover .....1EA</li> <li>- Main lead wires.....1EA</li> <li>- Screws.....4EA</li> <li>- Supporter.....4EA</li> </ul> </td> <td style="vertical-align: top; width: 50%;"> <ul style="list-style-type: none"> <li>• <b>Purchased Locally :</b></li> <li>- Damper Motor</li> <li>- Thermostat</li> <li>- Damper</li> </ul> </td> </tr> </table>	<ul style="list-style-type: none"> <li>• <b>Factory Supplied :</b></li> <li>- Zone Controller PCB .....1EA</li> <li>- Trans .....1EA</li> <li>- Case .....1EA</li> <li>- Cover .....1EA</li> <li>- Main lead wires.....1EA</li> <li>- Screws.....4EA</li> <li>- Supporter.....4EA</li> </ul>	<ul style="list-style-type: none"> <li>• <b>Purchased Locally :</b></li> <li>- Damper Motor</li> <li>- Thermostat</li> <li>- Damper</li> </ul>
<ul style="list-style-type: none"> <li>• <b>Factory Supplied :</b></li> <li>- Zone Controller PCB .....1EA</li> <li>- Trans .....1EA</li> <li>- Case .....1EA</li> <li>- Cover .....1EA</li> <li>- Main lead wires.....1EA</li> <li>- Screws.....4EA</li> <li>- Supporter.....4EA</li> </ul>	<ul style="list-style-type: none"> <li>• <b>Purchased Locally :</b></li> <li>- Damper Motor</li> <li>- Thermostat</li> <li>- Damper</li> </ul>		
<b>Applicable Models</b>	<ul style="list-style-type: none"> <li>• Applicable to Ceiling Concealed Duct, Ducted Split &amp; Single Package type air conditioners.</li> </ul>		

# Zone controller

## Installation Procedure :-

- The controller should be mounted to control panel using 4 screws supplied.
- Fasten it to any holes on control panel as long as there is enough space to install. If necessary drill holes to install on proper position.
- When drilling, ensure that metal swarf does not foul any electronic components.

## Wiring Diagram :

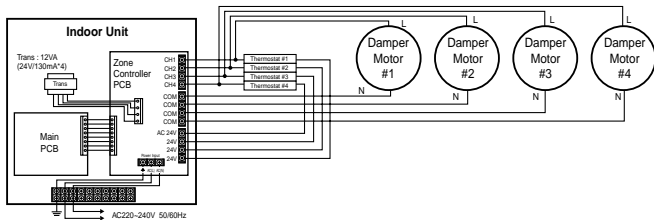


- Connect main lead wires between main PCB and Zone Controller.
- Connect thermostat to Zone Controller according to thermostat maker's manuals.
- Connect Damper Motor to Zone Controller according to Damper Motor maker's manuals.

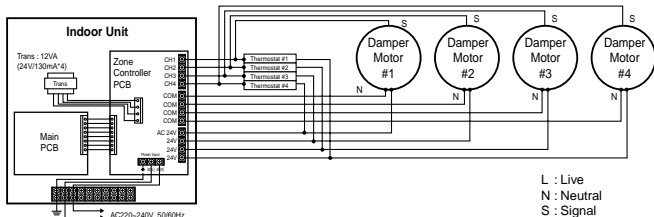
# Zone controller

Wiring also depends upon the type of the damper actuators.

## • Spring Return Damper Actuators



## • Non Spring Return Damper Actuators



### Remarks

- Turn off the Power before installation or maintenance.